

TECHNICAL SPECIFICATION

Rotary switches LW26-Q



Description:

The rotary switches LW26 series are produced for switching on/off electrical circuits with commutated current from 20 to 160A. They are designed on the bases of the rotor-eccentric switching on which is realized through turning of the handle to 60 or 90 degrees. The normal operation is used for commutation of two, three or four conductor systems. There are special rotary switches that switch on under given connection schemes and are used to control motors, electric welding machines and other consumers.

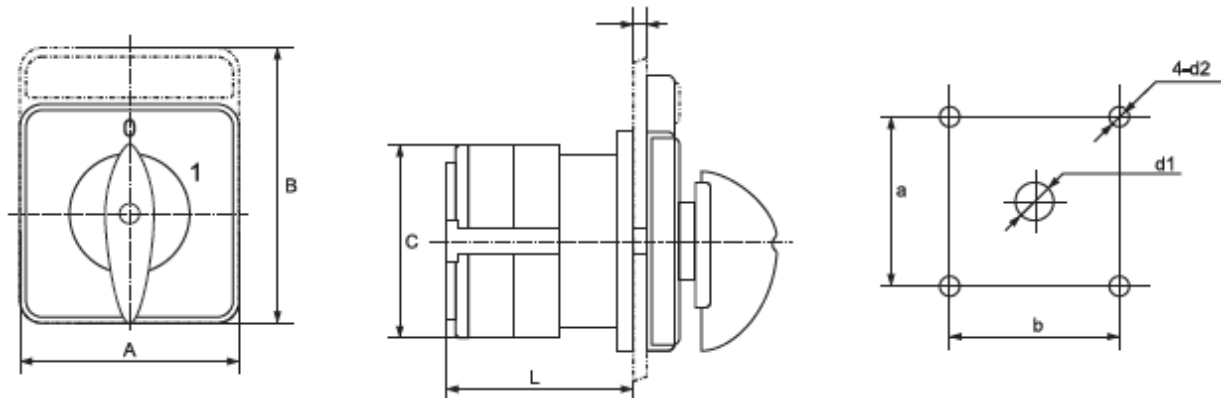
Technical data:

- Power supply voltage: 230/400V; 50Hz
- Number of levels: 2
- Number of positions: 2
- Insulation voltage: 690V
- Impulse voltage withstand: 6 000V
- Mechanical wear resistance: 3×10^5 commutation cycles
- Operating temperature: -10°C - +50°C
- Humidity: 35 - 85%RH
- Commutation capacity: 20-160A
- Resistant to UV rays plastic
- Cable connection: screw joining
- Maximum section of the power supply conductors: 50.0mm²

Mounting:

- directly to the control panel
- thickness of the surface to which it is mounted: max 5mm

Dimensions:



Type	Front panel	Joining conductor (mm ²)	Overall dimensions (mm)				Mounting dimensions (mm)			
			A	B	C	L	a	b	d1	d2
LW26-20	M1 panel	1x2.5	48	46	43	22+9.6n	36	36	Ø8.5	Ø4.5
	M1 panel with inscription field		48	60	43	22+9.6n	36	36	Ø8.5	Ø4.5
LW26-25	M1 panel	1x4.0	48	48	45.2	23+12.8n	36	36	Ø8.5	Ø4.5
LW26-32	M2 panel	1x6.0	64	64	58	29.2+12.8n	48	48	Ø10	Ø4.5
LW26-63	M2 panel	1x16	64	64	66	29.2+21.5n	48	48	Ø10	Ø4.5
LW26-125	M3 panel	1x35	88	88	84	35+26.5n	68	68	Ø13	Ø6
LW26-160	M3 panel	1x50	88	88	88	35+32.5n	68	68	Ø13	Ø6

*n – number of modules

Variants:

Type	Scheme	In (A)	Levels	Packing / Box (pcs)	Catalogue number
LW26-10Q	Q10 three-poles switching on; motor starting and stopping; voltage turning on/off to the consumers	10	2	1 / 100	492101
LW26-16Q		16	2	1 / 100	492161
LW26-20Q		20	2	1 / 100	492201
LW26-25Q		25	2	1 / 100	492251
LW26-32Q		32	2	1 / 72	492321
LW26-63Q		63	2	1 / 64	492631
LW26-125Q		125	2	1 / 24	492951
LW26-160Q		160	2	1 / 27	492961

Standards:

EN 60947-1

EN 60947-3-1

